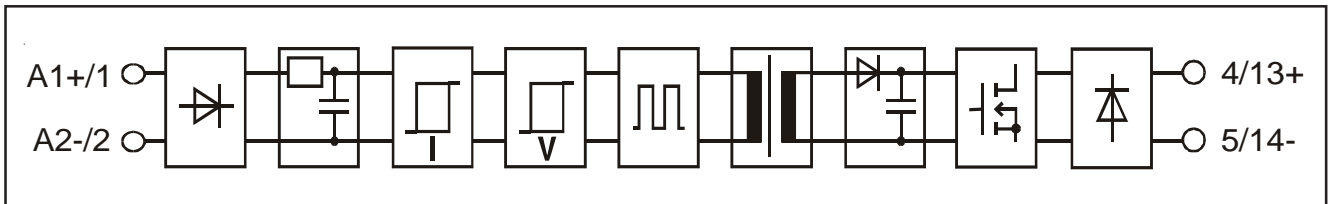


### Mechanical specifications for SLI DIN-rail relays

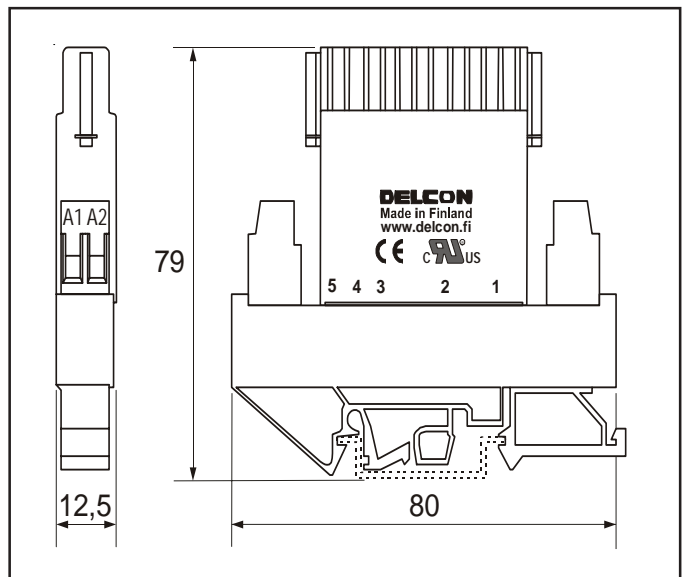
- DIN-rail mount input relays
- Works without logic supply (4 pole)
- Integrated status LED

### Typical block diagram



### Physical dimensions and other data

Breakdown voltage	minimum	4000 VAC rms
Resistance	minimum	$10^{10} \Omega$
Materials:		
housing	thermoplastic	UL 94 V-0
socket	thermoplastic	UL 94 V-2
Weight	typical	60 g
Air/creepage distance	minimum	8 mm
Capacitance I/O	typical	3 pF
Screw terminals:		
solid wire	4 mm <sup>2</sup>	(AWG 12)
stranded	2,5 mm <sup>2</sup>	(AWG 14)
Torque	maximum	0,5 Nm



Dimensions in mm.

### Technical specifications and approvals

Detailed specifications and approval situation from individual data sheets. The relays fulfil requirements of the low voltage directive 73/23/EEC.

### Guarantee

The solid state I/O relays and accessories made by Delcon Oy are guaranteed free from design and manufacturing defects for a period of three years from the shipping date. For electromechanical relays the guarantee is one year. The guarantee liability is limited to replacement of defective material and related shipping charges. Defective products must be returned to the factory for evaluation. This guarantee does not cover damage due to incorrect use or electrical overload.

#### Delcon Oy

Veikkointie 4  
03100 Nummela  
Finland

Tel. +358 9 7771180  
Fax +358 9 77711840  
www.delcon.fi

4.9.2003