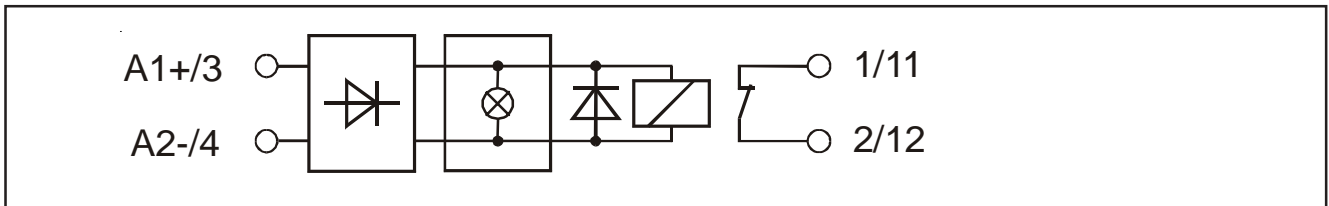


SL-series electromechanical output relay

- Plug-in output relay for AC loads
- 3 (6) A continuous current
- 0...240 VAC/250 VDC nominal load voltage
- Mechanical contacts, normally closed
- AgSnO₂ contact material
- Status LED
- Immune to disturbances on signal lines
- Shielded signal cabling not required
- cULus tested
- CE (EMC and LVD tested)

Block diagram



Specifications (at temperature of 25 °C)

Primary

Input voltage	nominal	24 VDC
Input current at nominal voltage	typical	9 mA
Input voltage range (abs.)	maximum	-
Input voltage	minimum	19 VDC
Input impedance	maximum	32 VDC
Switch-on voltage	typical	2,7 kΩ
Switch-off voltage	maximum	19 VDC
	minimum	2,5 VDC

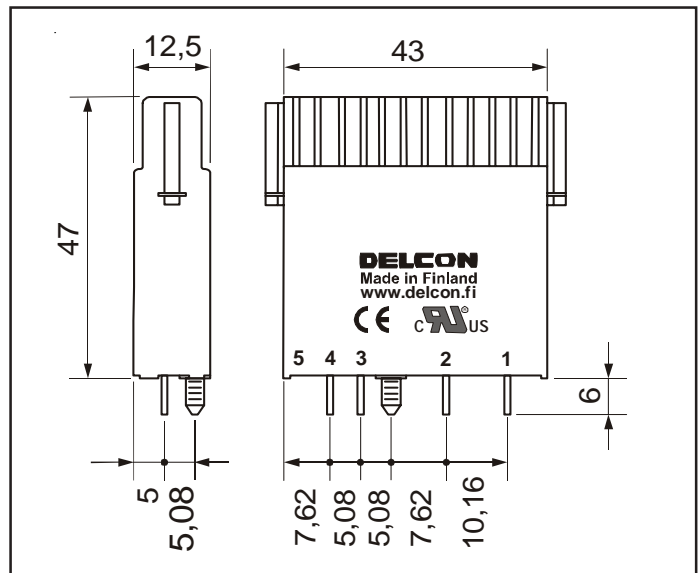
Secondary

Load voltage	minimum	12 V 100 mA DC
	nominal	240 VAC/250 VDC
	maximum	265 VAC/300 VDC
Load current (absolute)	maximum	3(6) A
Switch-on delay	typical	5 ms
	maximum	10 ms
Switch-off delay	typical	10 ms
	maximum	15 ms
Mechanical life, operations		10 * 10 ⁶

Physical dimensions and other data

Breakdown voltage	minimum	4000 VAC rms
Resistance	minimum	10 ¹⁰ Ω
Material of casing	thermoplastic	UL 94 V-0
Weight	typical	40 g
Air/creepage distance	minimum	6/8 mm

Color of casing: black



Dimensions in mm.

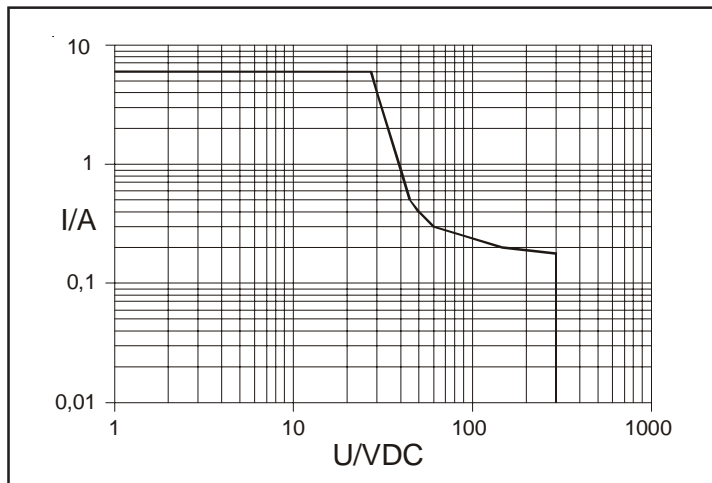
Temperature derating

There are no derating needs for this relay.

Temperature range:

Storage: -40 °C...+70 °C
Operation: -25 °C...+70 °C

Derating when switching resistive DC loads



Fusing

To protect relay against short circuit and overload a fast fuse with the correct rating for the load and the capacity of the relay should be chosen, for instance from the Wickman 193 range. Note that when overload current is not large it is possible that the fuse will not protect the relay because of the tolerance on the fuse rating.

Approvals



Certificate 185700-01...03 and FI 11720



UL-file E 162828



The relay fulfils EMC-directive 89/336/EEC requirements. Product has been tested according generic standards EN50081-2 and EN50082-2. The relay fulfils also requirements of the low voltage directive 73/23/EEC.

Guarantee

The solid state I/O relays and accessories made by Delcon Oy are guaranteed free from design and manufacturing defects for a period of three years from the shipping date. For electromechanical relays the guarantee is one year. The guarantee liability is limited to replacement of defective material and related shipping charges. Defective products must be returned to the factory for evaluation. This guarantee does not cover damage due to incorrect use or electrical overload.

Delcon Oy
Veikkointie 4
03100 Nummela
Finland

Tel. +358 9 7771180
Fax +358 9 77711840
www.delcon.fi

18.9.2003