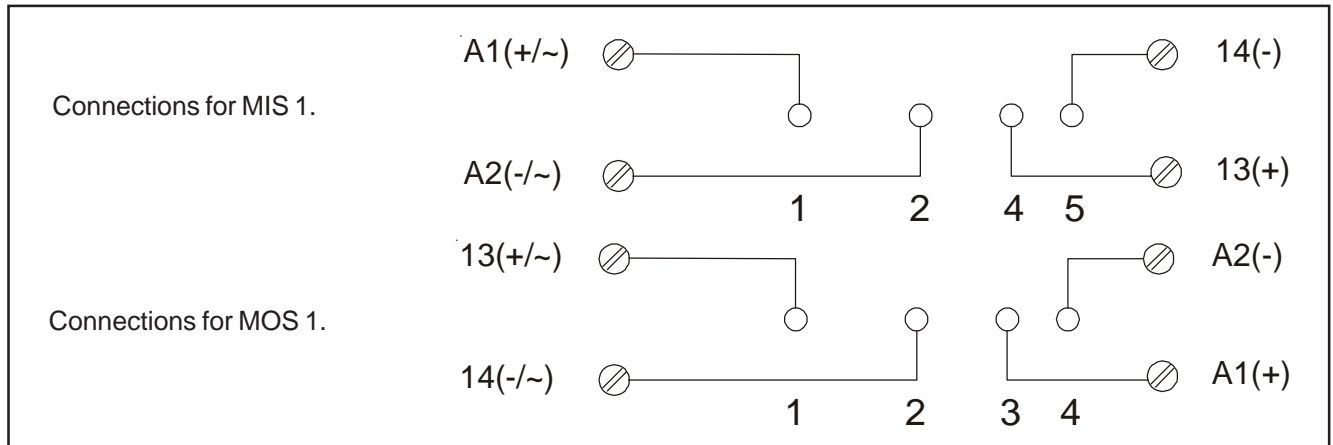


DIN-rail sockets for SL-relays

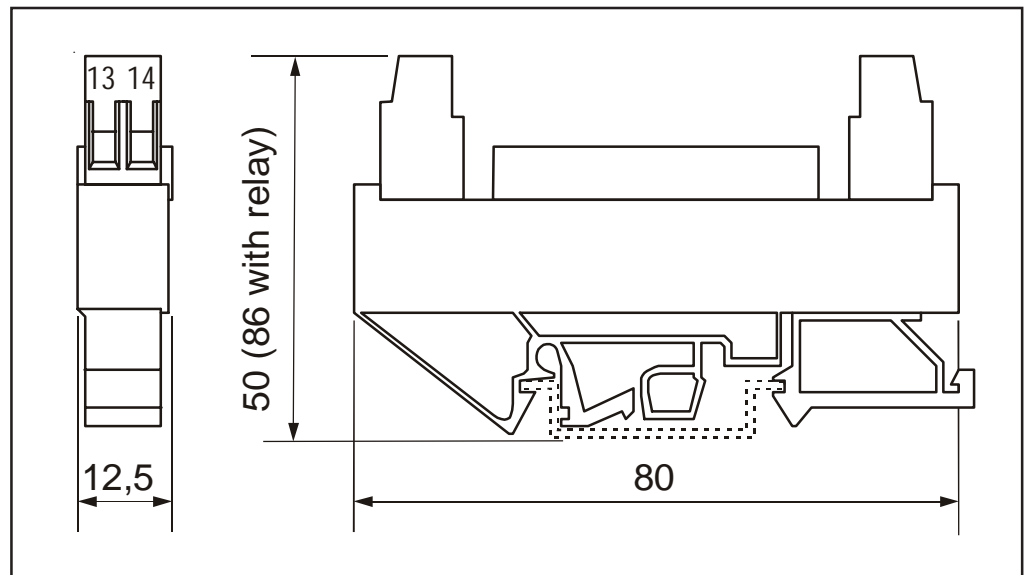
- MIS 1, DIN-rail socket for plug-in input relays
- MOS 1, DIN-rail socket for plug-in output relays
- 6,3 A continuous current
- 0...250 VAC/DC nominal control and load voltages
- cULus tested (UL and CSA)
- CE (LVD tested)

Connection diagrams



Physical dimensions and other data

Breakdown voltage I/O	minimum	4000 VAC rms
Resistance I/O	minimum	$10^{10} \Omega$
Materials:		
relay base	thermoplastic	UL 94 V-0
socket	thermoplastic	UL 94 V-2
Weight	typical	27 g
Air/creepage distance	minimum	8 mm
Screw terminals:		
voltage	nominal	250 VAC/DC
solid wire	maximum	4 mm ² (AWG 12)
stranded	maximum	2,5 mm ² (AWG 14)
torque	maximum	0,5 Nm
Contacts:		
current	maximum	6,3 A rms



Temperature derating

There are no derating needs for these mounting sockets.

Temperature range:

Storage: -40 °C...+70 °C
Operation: -25 °C...+70 °C

Approvals



Certificate 185700-01...03 and FI 11720



UL-file E 162828



The mounting sockets fulfil requirements of the low voltage directive 73/23/EEC.

Guarantee

The solid state I/O relays and accessories made by Delcon Oy are guaranteed free from design and manufacturing defects for a period of three years from the shipping date. For electromechanical relays the guarantee is one year. The guarantee liability is limited to replacement of defective material and related shipping charges. Defective products must be returned to the factory for evaluation. This guarantee does not cover damage due to incorrect use or electrical overload.

Delcon Oy
Veikkointie 4
03100 Nummela
Finland

Tel. +358 9 7771180
Fax +358 9 77711840
www.delcon.fi

5.9.2003